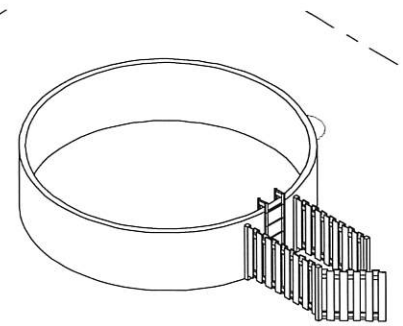
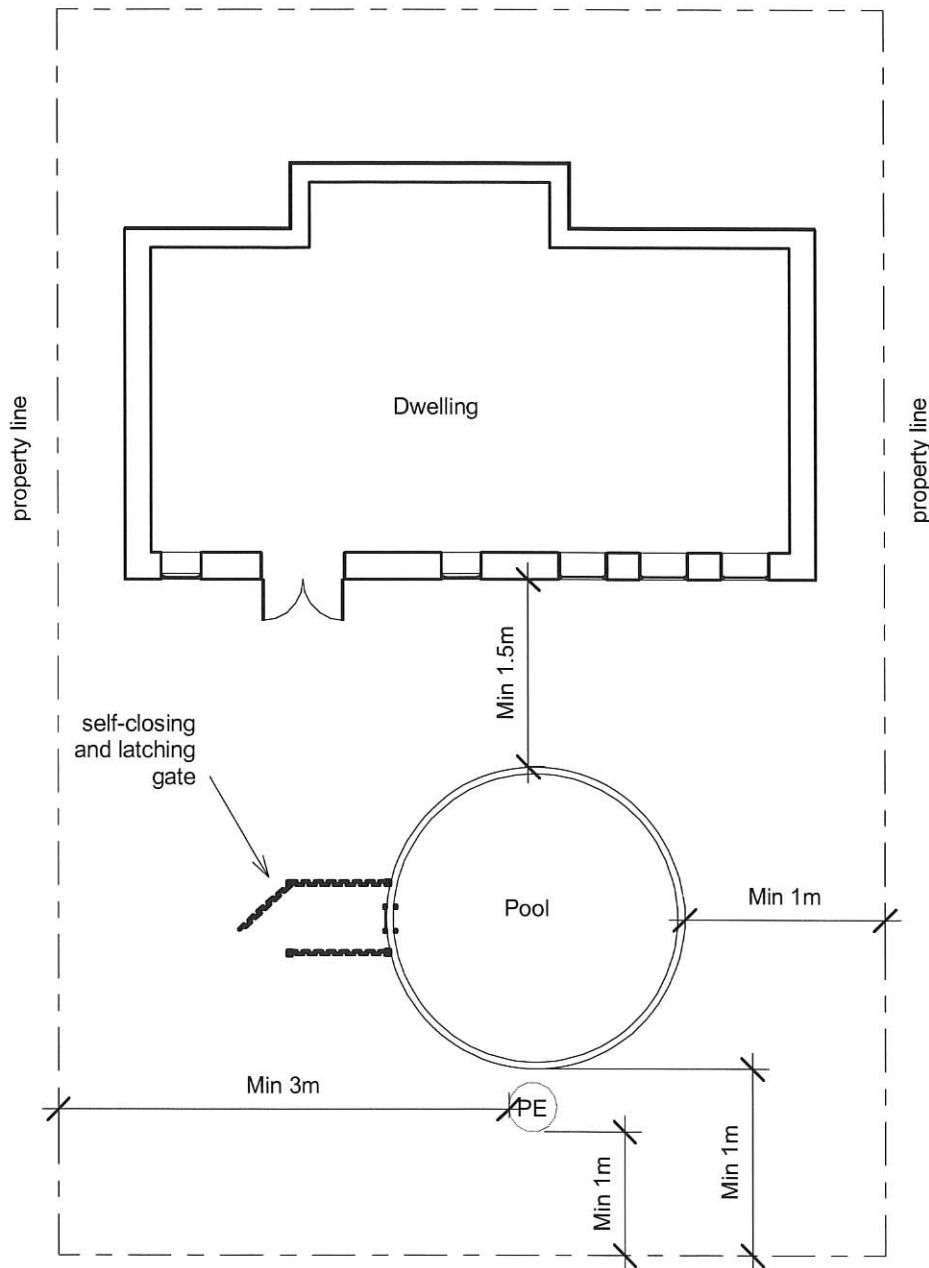


Sample Only



NOTES

- Gates to be self-closing and self-latching.
- A safety ring with 25'-0" rope or a safety hook to be readily available all year round.
- Pool pump to be a minimum of 3 m away from side property lines, and 1m from rear property lines.
- Pool to be a minimum of 1m away from property lines, and 1.5 m away from dwelling(s).
- PE: Pool Equipment

SITE PLAN REQUIREMENTS

- Lot Frontage and area
- All setbacks
- Height of dwelling (in meters)
- Label all buildings (Deck, dwelling, garage)
- All building dimensions



PORT COLBORNE

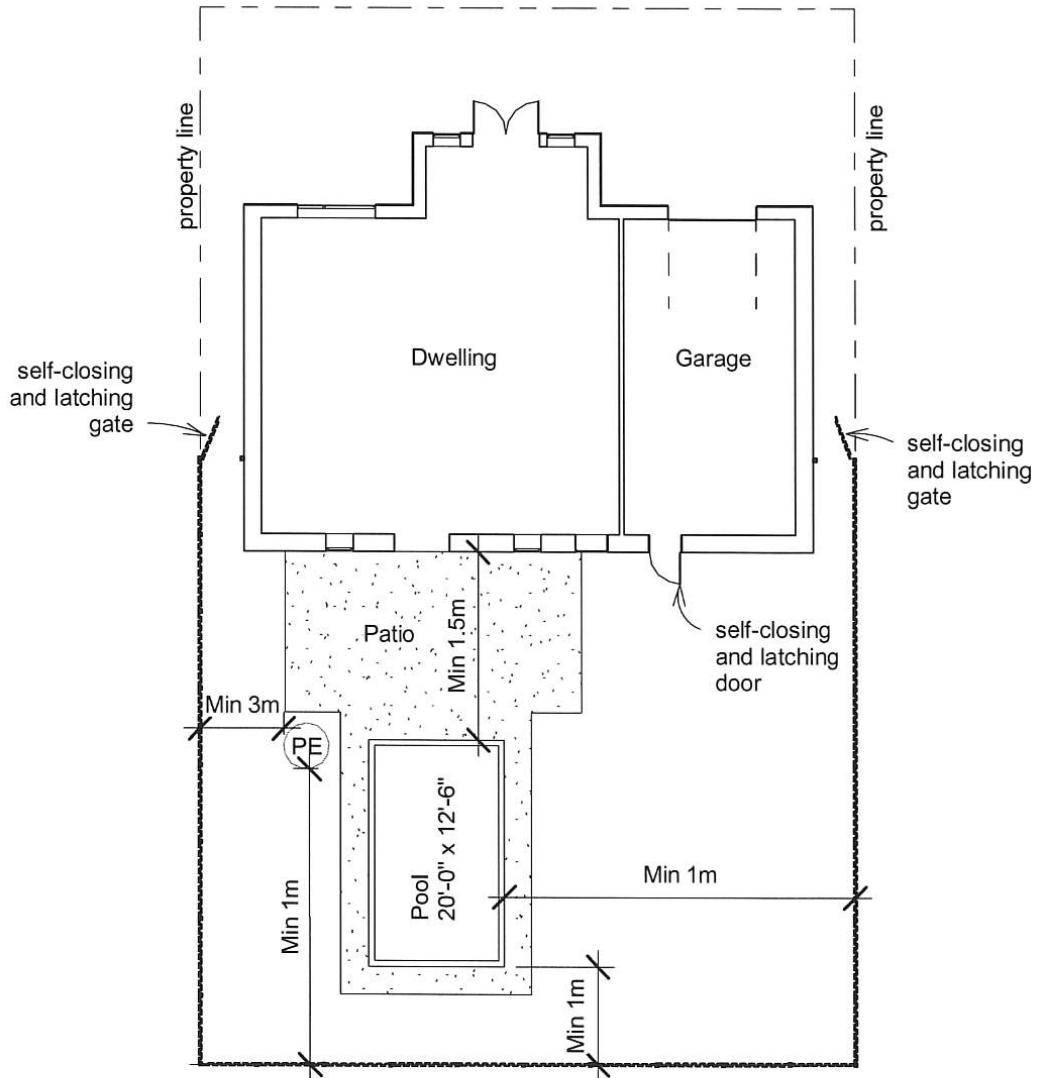
Site Plan - Above Ground

City of Port Colborne

Site Plan

www.portcolborne.ca

Sample Only



NOTES

- Gates to be self-closing and self-latching.
- A safety ring with 25'-0" rope or a safety hook to be readily available all year round.
- Pool pump to be a minimum of 3 m away from side property lines, and 1m from rear property lines.
- Pool to be a minimum of 1m away from property lines, and 1.5 m away from dwelling(s).
- PE: Pool Equipment

SITE PLAN REQUIREMENTS

- Lot Frontage and area
- All setbacks
- Height of dwelling (in meters)
- Label all buildings (Deck, dwelling, garage)
- All building dimensions



PORT COLBORNE

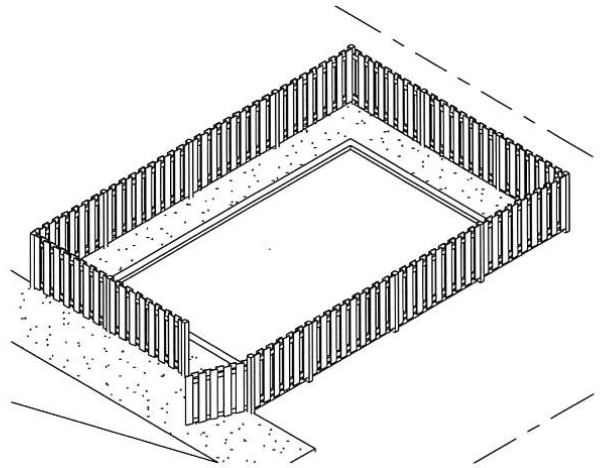
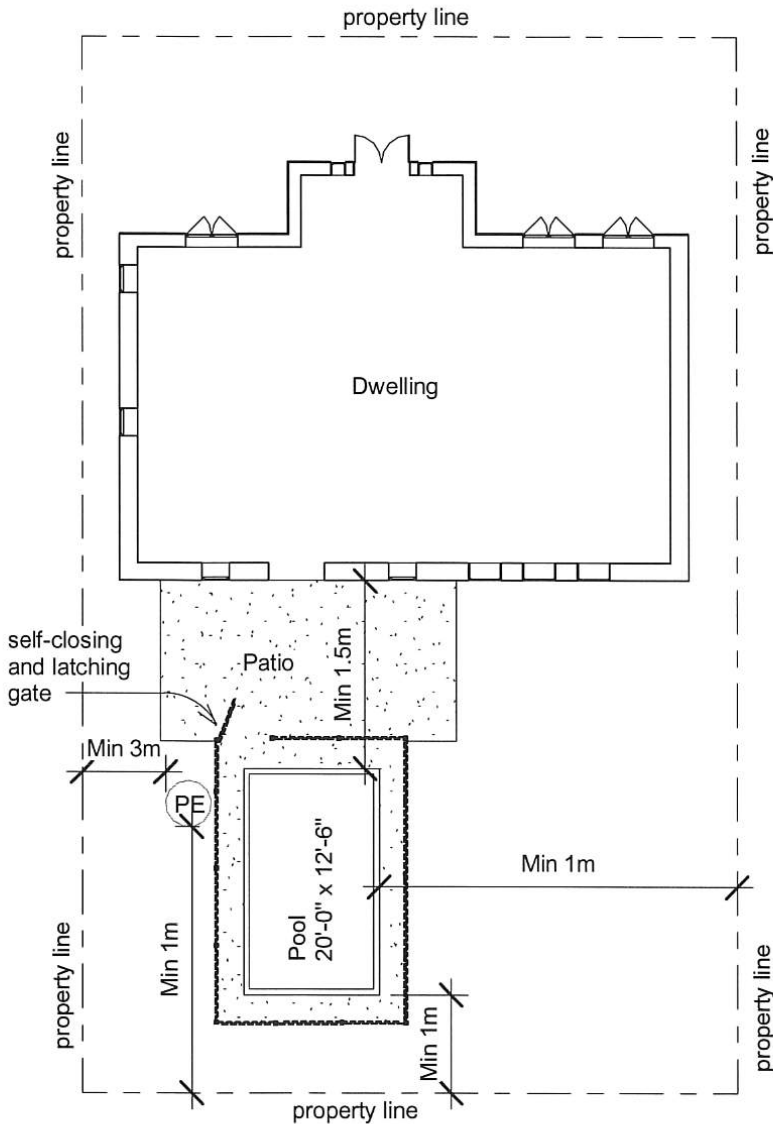
Protection around yard, at building

City of Port Colborne

Site Plan

www.portcolborne.ca

Sample Only



NOTES

- Gates to be self-closing and self-latching.
- A safety ring with 25'-0" rope or a safety hook to be readily available all year round.
- Pool pump to be a minimum of 3 m away from side property lines, and 1m from rear property lines.
- Pool to be a minimum of 1m away from property lines, and 1.5 m away from dwelling(s)..
- PE: Pool Equipment

SITE PLAN REQUIREMENTS

- Lot Frontage and area
- All setbacks
- Height of dwelling (in meters)
- Label all buildings (Deck, dwelling, garage)
- All building dimensions



PORT COLBORNE

Protection at Pool - In-Ground /On-Ground

City of Port Colborne

Site Plan

www.portcolborne.ca